

DIAMOND

Fabrics for all Diamonds are single-skin to allow for front or rear projection.

All rentals available in white.

Some color rentals available, please call for sizes and availability.

For purchases, color to be chosen from standard Pink Décor Swatch Card, or custom printed.

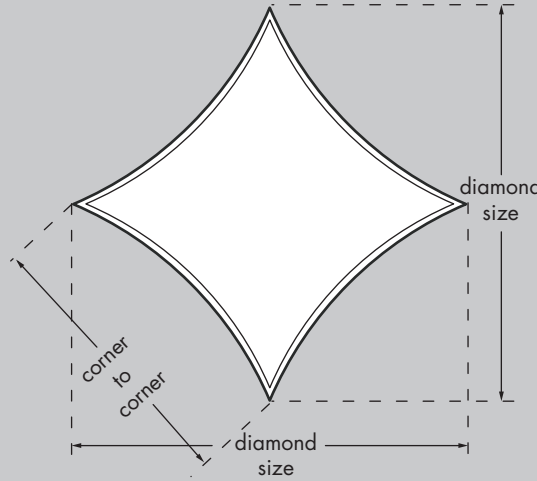
Fabrics for all Diamonds are flame retardant and meet NFPA 701 small scale; class A.

Rigged on-site from loops at each point of the structure.

All Diamonds are suspended structures.

Fabric is pulled; this means sizes are slightly flexible to fit client needs.

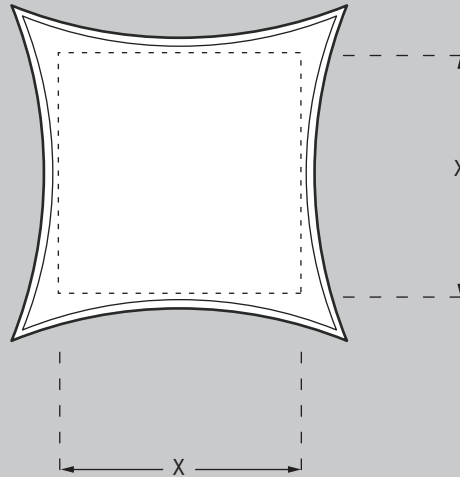
measuring a diamond



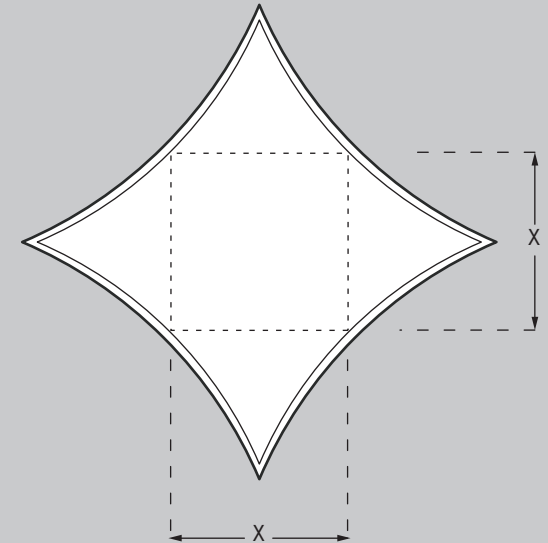
sizes and projection areas

DIAMOND SIZE:	CORNER TO CORNER:	PROJECTION AS DIAMOND:	PROJECTION AS SQUARE:
4' X 4'	3' X 3'	1' X 1'	1'6" X 1'6"
7' X 7'	5' X 5'	1'9" X 1'9"	3' X 3'
10' X 10'	7' X 7'	3' X 3'	4'6" X 4'6"
15' X 15'	10'6" X 10'6"	4'9" X 4'9"	7'3" X 7'3"
20' X 20'	14'6" X 14'6"	6'9" X 6'9"	9'9" X 9'9"
25' X 25'	17'6" X 17'6"	8'6" X 8'6"	12'3" X 12'3"
30' X 30'	21' X 21'	11' X 11'	15'6" X 15'6"
40' X 40'	28'6" X 28'6"	15'6" X 15'6"	22'3" X 22'3"

projection area as square



projection area as diamond



Diamond Size:	Approx. Weight:	Fabric Bag Size: (Length x Circumf.)	Crew Members:	Time Needed:
4' x 4'	3 lbs	11" x 18"	1	20 min
7' x 7'	4 lbs	11" x 24"	2	20 min
10' x 10'	5 lbs	12" x 18"	2	20 min
15' x 15'	7 lbs	14" x 26"	2	30 min
20' x 20'	9 lbs	18" x 30"	2	30 min
25' x 25'	12 lbs	16" x 36"	2	40 min
30' x 30'	18 lbs	27" x 40"	2	45 min
40' x 40'	20 lbs	24" x 46"	3	45 min

Any and all rights (including, without limitation, copyright, design patent, use patent and trademark) in and to all designs, concepts, renderings, or graphics (collectively, "Design") represented in this document were created by Moss Inc. and remain the sole and exclusive property of Moss Inc. Use of any such Design by the recipient without required purchase is strictly prohibited. ©2010

SALES & DESIGN: 1501 Broadway | New York, NY 10036

SHIPPING: 78 Henry St. Suite A | Secaucus, NJ 07094

p: 212.253.6666 | f: 212.253.6646

e: info@pinkincworldwide.com | w: pinkincdesign.com

